

# FUEL TANK YAMAHA ATV YZF 450 04/08 16 lit.

## SERBATOIO YAMAHA ATV YZF 450 04/08 16 lit.

**ACERBIS**

COD. 500000615 REV.1

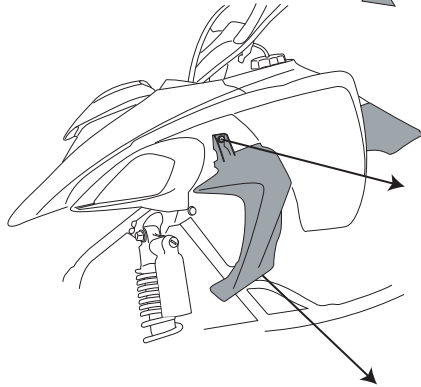
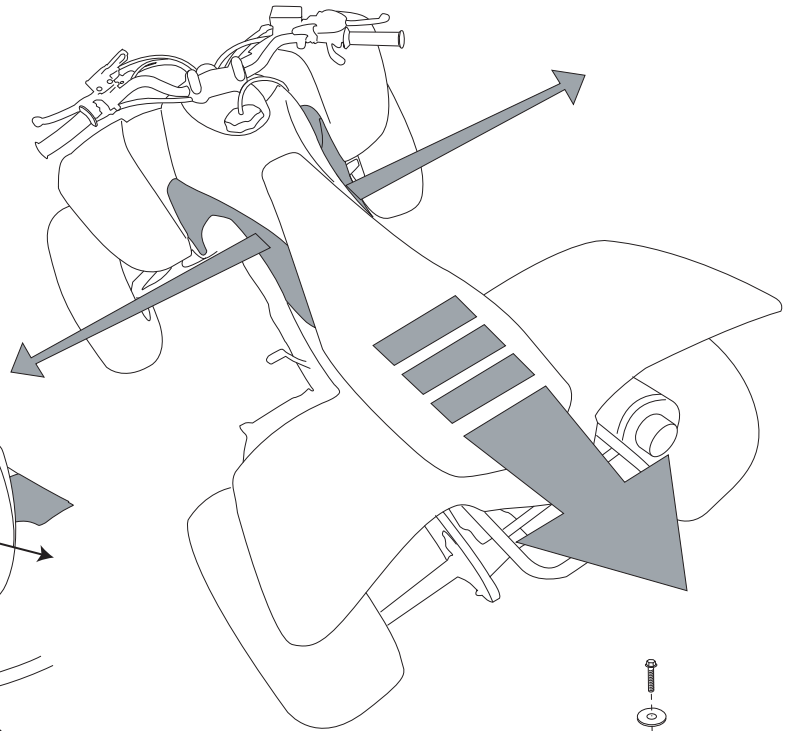
### WARNING



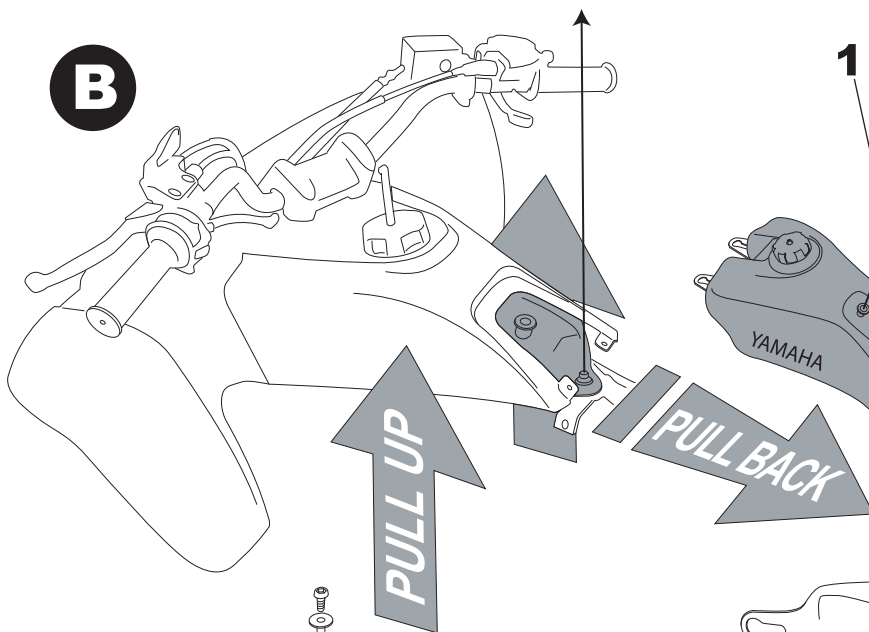
Durante il rimontaggio suggeriamo vivamente di utilizzare un grasso anti-grippante su tutte le viti.

Highly suggest to use anti-seize/grease lubricant on all bolt threads going into the tank's metal inserts when reinstalling.

**A**

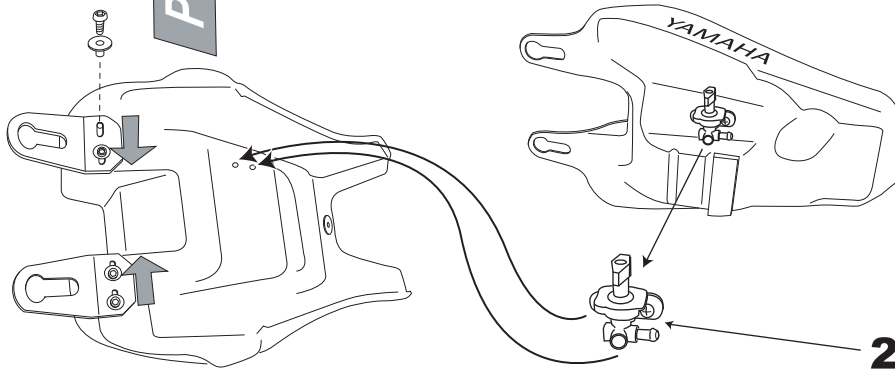
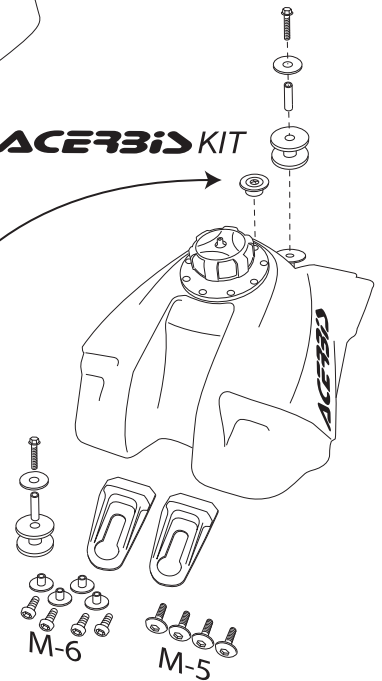


**B**



**ACERBIS KIT**

**1**

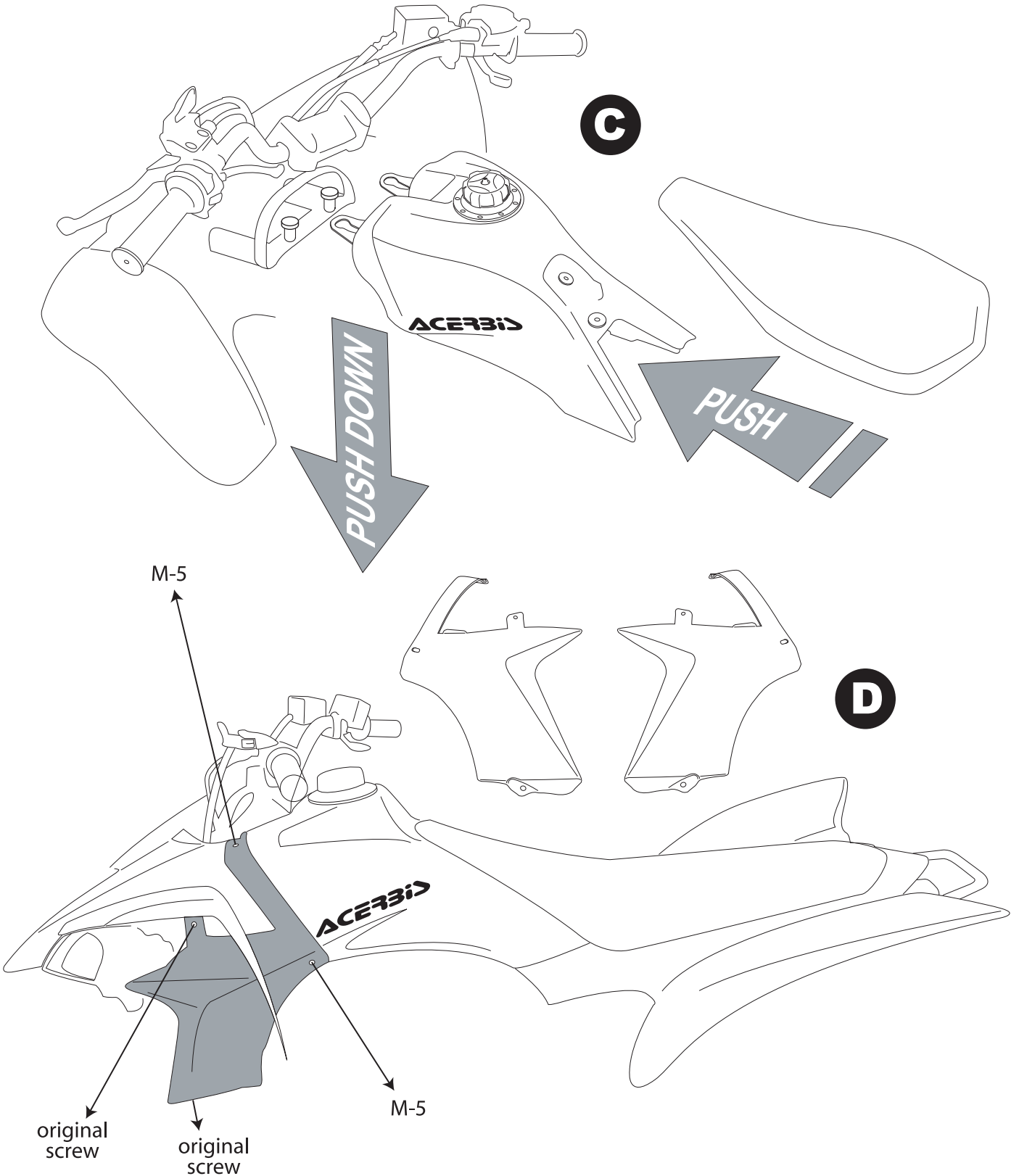


**1-2** remove from original and use to mount new ACERBIS tank

**FUEL TANK YAMAHA ATV YZF 450 04/08 16 lit.**  
**SERBATOIO YAMAHA ATV YZF 450 04/08 16 lit.**



COD. 500000615 REV.1



**LIBERATORIA**

LIBERATORIA: A causa di variabili inponderabili nel processo di stampaggio rotazionale dei serbatoi, questi possono differire in forma e dimensioni fino al 7% rispetto alla capacità dichiarata.

**FOR COMPETITION USE ONLY**  
**SOLO PER USO AGONISTICO**

ACERBIS

Thank you for purchasing an ACERBIS fuel tank

**WARNING**

It is **EXTREMELY IMPORTANT** that the fuel tank be properly installed. To ensure proper installation, it is **STRONGLY RECOMMENDED** that the tank be installed only by a qualified OEM licensed dealership mechanic. Improper installation could result in serious injury or even death.

**If self-installed NOTE THE FOLLOWING.** Particular attention must be paid to excessive fuel line length and fuel line proximity to hot engine areas and pipes to prevent fire.

Clean tank interior thoroughly before installation. Install this fuel tank only in a well ventilated area, as gasoline fumes are extremely dangerous. Do not start or operate the vehicle if there are any fuel leaks! Read all instruction first before beginning installation.

**DISCLAIMER**

Due to uncontrolled variables in the manufacturing process of rotationally molded fuel tanks, the fuel tank may vary in size and shape by up to 7% of the manufacturer's original listed capacity.